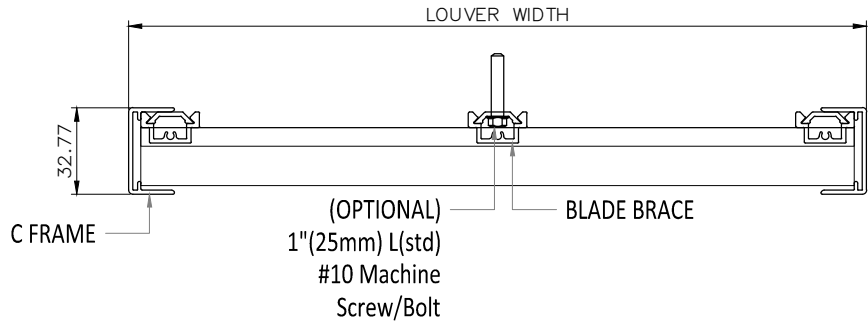
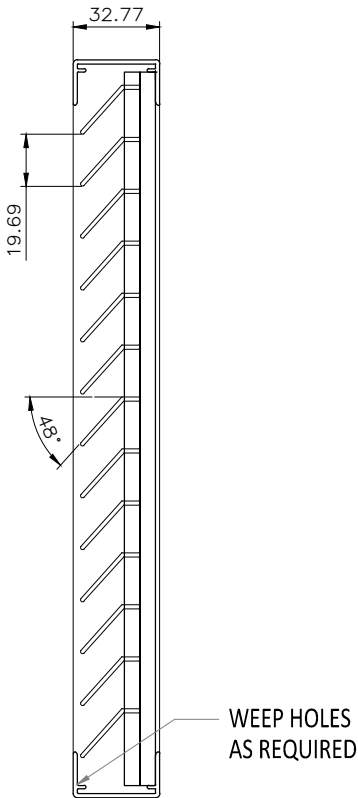


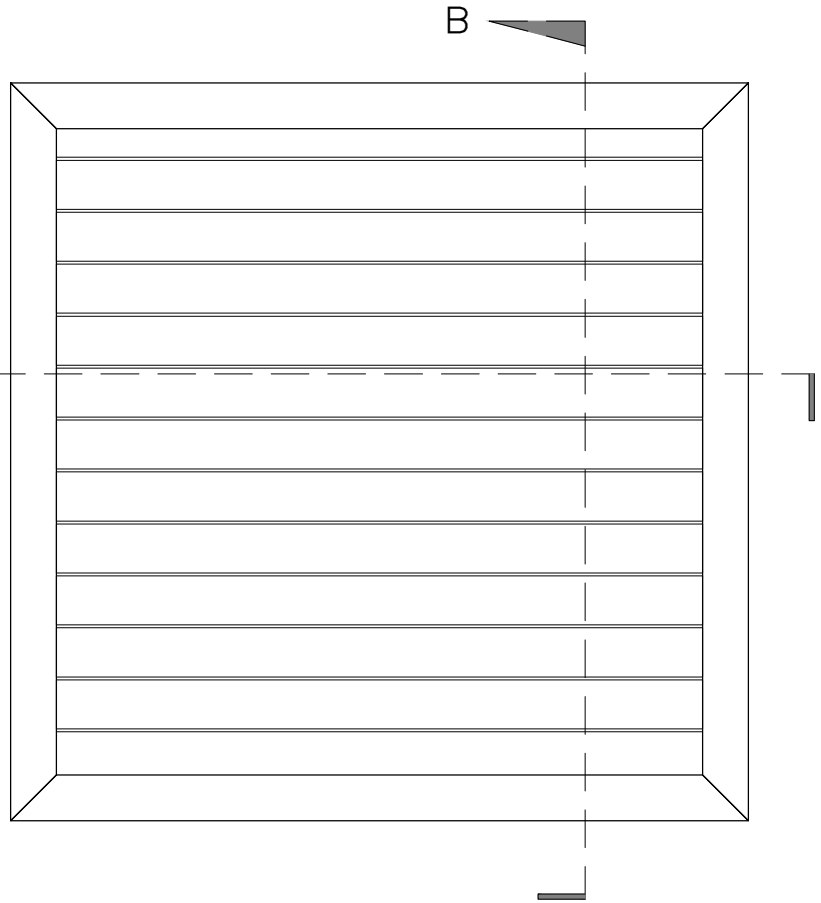
MODEL: TL-129



SECTION A



SECTION B



ELEVATION

**MATERIAL:**

- EXTRUDED ALUMINIUM
- FORMED METAL
- \*STAINLESS STEEL
- \*GALVANIZED IRON
- \*ALUMINIUM

**SCREEN:**

- NOT REQUIRED
- BIRDMESH, ALUMINIUM
- BIRDMESH, STAINLESS STEEL
- INSECT MESH
- SAND FILTER MESH

**SCREEN FRAMING FINISH:**

- COLOUR #: \_\_\_\_\_
- MILL FINISH
  - PESDF
  - PVDF-2 COAT     PVDF-3 COAT
  - OTHERS: \_\_\_\_\_

**LOUVER FINISH:**

- COLOUR #: \_\_\_\_\_
- MILL FINISH
  - PESDF
  - PVDF-2 COAT     PVDF-3 COAT     PVDF-4 COAT
  - OTHERS: \_\_\_\_\_

PROJECT: —		
ARCH/ENG:		
CONTRACTOR:		
REPRESENTATIVE: ONTARIO SPECIALTY ARCHITECTURE		
SCALE	DATE	SHEET
		1 OF 1



ONTARIO SPECIALTY ARCHITECTURAL PRODUCTS  
 1804 Metropolis Tower, Business Bay, Dubai UAE  
 P.O. Box 392567, Dubai UAE  
 Web Site: www.ontariosa.com

MODEL: TL-129

PTAC UNIT  
(NOT BY OSA)

ORTHO VIEW

PTAC UNIT (SPECIFY)

SECTION B

A

PTAC UNIT (SPECIFY)

SECTION A

SI	UNIT TYPE	UNIT MODEL NO.	DIMENSIONS(MM)					QTY.	VARIATIONS
			A	B	C	D	E		
1									
2									
3									
4									
5									
6									
7									

**MATERIAL:**

- EXTRUDED ALUMINIUM
- FORMED METAL
- \*STAINLESS STEEL
- \*GALVANIZED IRON
- \*ALUMINIUM

**SCREEN:**

- NOT REQUIRED
- BIRDMESH, ALUMINIUM
- BIRDMESH, STAINLESS STEEL
- INSECT MESH
- SAND FILTER MESH

**SCREEN FRAMING FINISH:**

- COLOUR #: \_\_\_\_\_
- MILL FINISH
  - PESDF
  - PVDF-2 COAT     PVDF-3 COAT
  - OTHERS: \_\_\_\_\_



ONTARIO SPECIALTY ARCHITECTURAL PRODUCTS  
1804 Metropolis Tower, Business Bay, Dubai UAE  
P.O. Box 392567, Dubai UAE  
Web Site: www.ontariosa.com

**LOUVER FINISH:**

- COLOUR #: \_\_\_\_\_
- MILL FINISH
  - PESDF
  - PVDF-2 COAT     PVDF-3 COAT     PVDF-4 COAT
  - OTHERS: \_\_\_\_\_

PROJECT: -		
ARCH/ENG:		
CONTRACTOR:		
REPRESENTATIVE: ONTARIO SPECIALTY ARCHITECTURE		
SCALE	DATE	SHEET
		1 OF 1