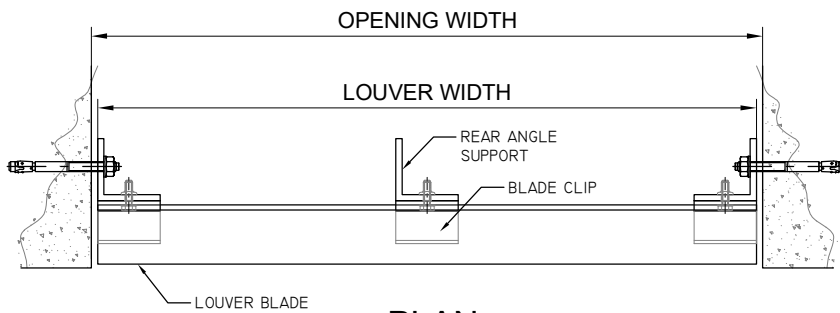
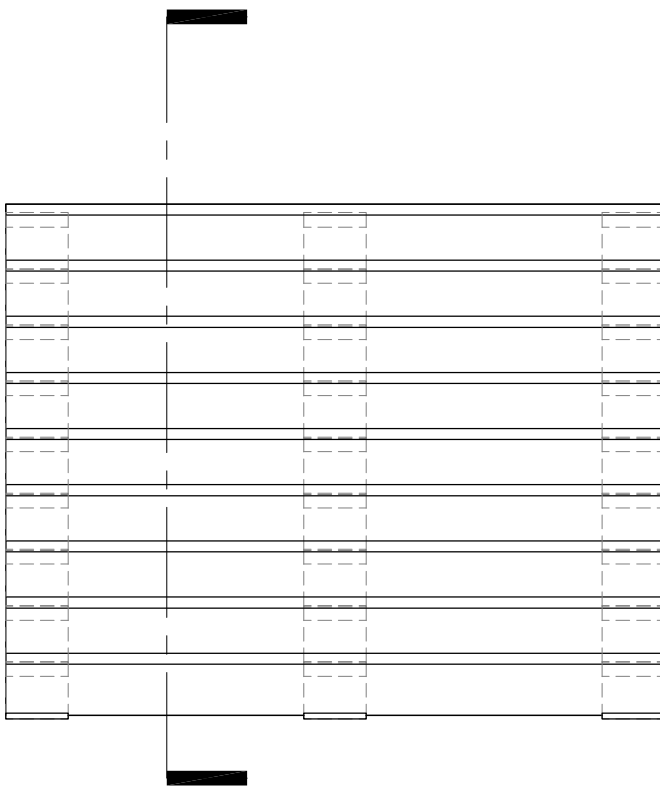


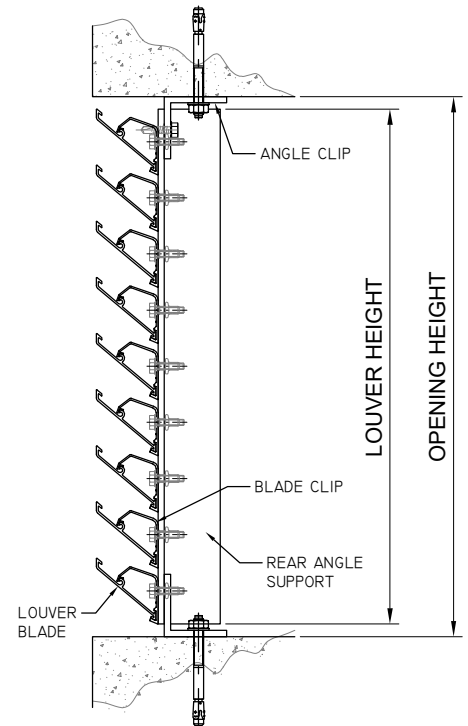
MODEL: VS-220



PLAN



ELEVATION



SECTION

MATERIAL:

- EXTRUDED ALUMINIUM
- FORMED METAL
- *STAINLESS STEEL
- *GALVANIZED IRON
- *ALUMINIUM

SCREEN:

- NOT REQUIRED
- BIRDMESH, ALUMINIUM
- BIRDMESH, STAINLESS STEEL
- INSECT MESH
- SAND FILTER MESH

SCREEN FRAMING FINISH:

- COLOUR #: _____
- MILL FINISH
 - PESDF
 - PVDF-2 COAT PVDF-3 COAT
 - OTHERS: _____

osa
PRODUCTS
ONTARIO SPECIALTY ARCHITECTURAL PRODUCTS
1404 Metropolis Tower, Business Bay, Dubai UAE
P.O. Box 392567, Dubai UAE
Web Site: www.ontariosa.com

LOUVER FINISH:

- COLOUR #: _____
- MILL FINISH
 - PESDF
 - PVDF-2 COAT PVDF-3 COAT PVDF-4 COAT
 - OTHERS: _____

PROJECT:		
ARCH/ENG:		
CONTRACTOR:		
REPRESENTATIVE:		
SCALE	DATE	SHEET
		1 OF 1