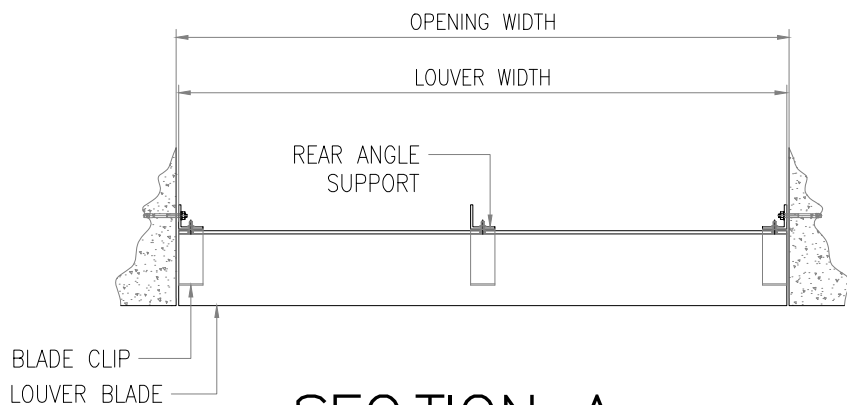
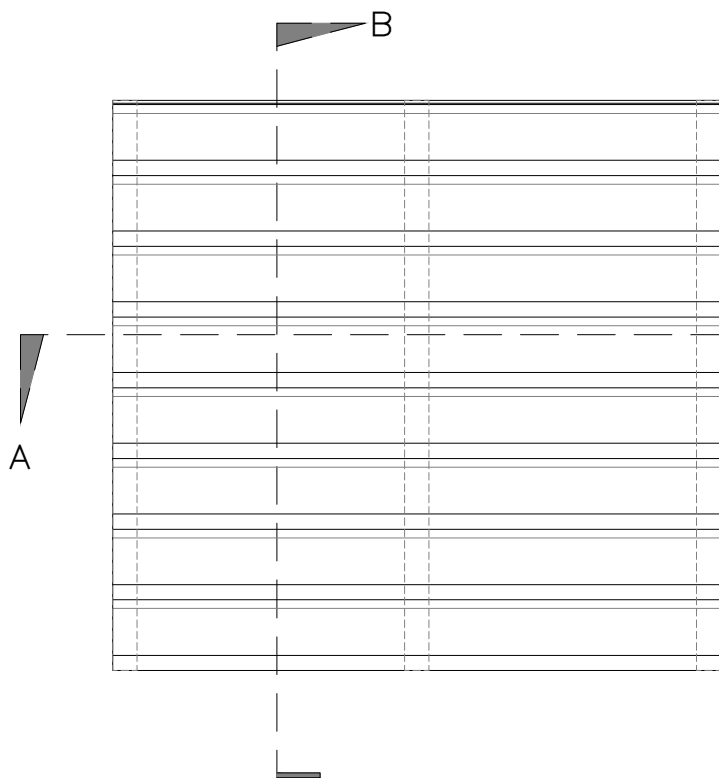


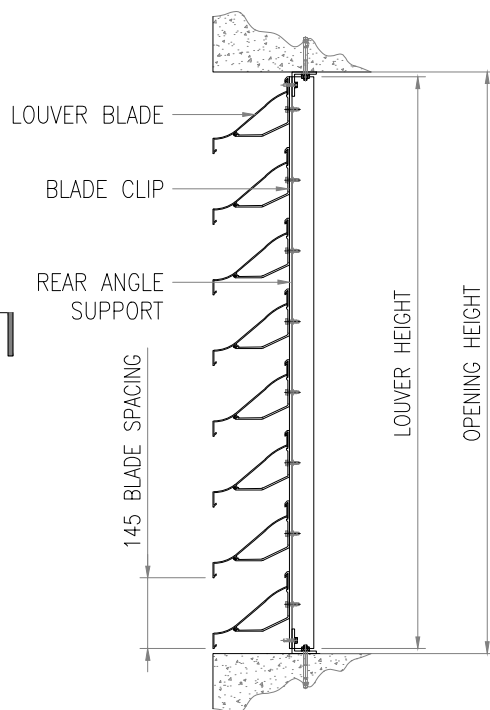
MODEL: SL-660



SECTION A



ELEVATION



SECTION B

MATERIAL:

- EXTRUDED ALUMINIUM
- FORMED METAL
- *STAINLESS STEEL
- *GALVANIZED IRON
- *ALUMINIUM

SCREEN:

- NOT REQUIRED
- BIRDMESH, ALUMINIUM
- BIRDMESH, STAINLESS STEEL
- INSECT MESH
- SAND FILTER MESH

SCREEN FRAMING FINISH:

- COLOUR #: _____
- MILL FINISH
 - PESDF
 - PVDF-2 COAT PVDF-3 COAT
 - OTHERS: _____



PRODUCTS
ONTARIO SPECIALTY ARCHITECTURAL PRODUCTS
1804 Metropolis Tower, Business Bay, Dubai UAE
P.O. Box 392567, Dubai UAE
Web Site: www.ontariosa.com

LOUVER FINISH:

- COLOUR #: _____
- MILL FINISH
 - PESDF
 - PVDF-2 COAT PVDF-3 COAT PVDF-4 COAT
 - OTHERS: _____

PROJECT: -

ARCH/ENG:

CONTRACTOR:

REPRESENTATIVE: ONTARIO SPECIALTY ARCHITECTURE

SCALE

DATE

SHEET