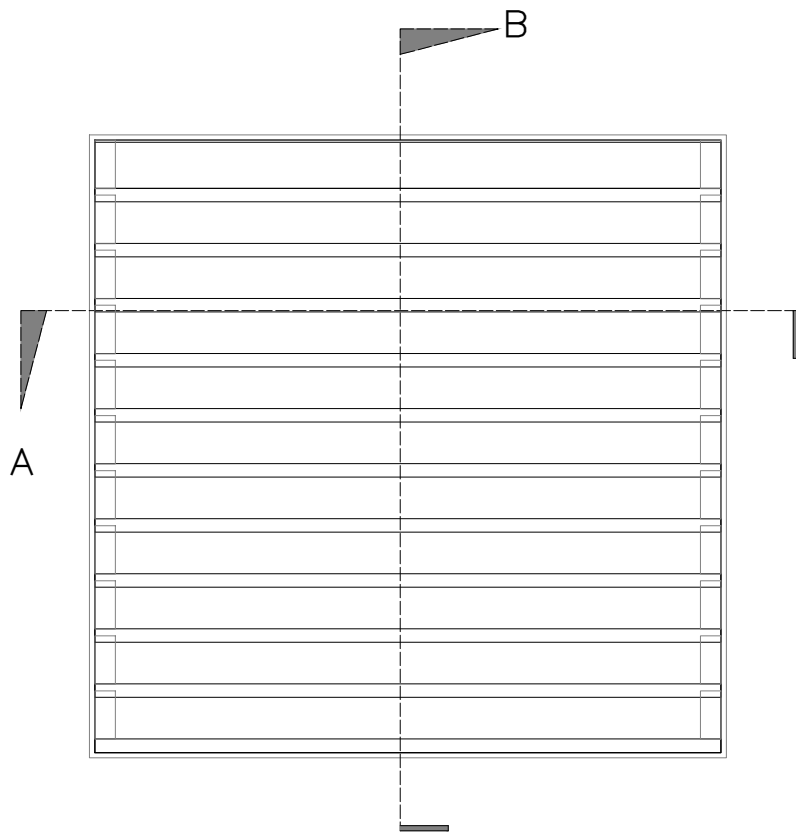
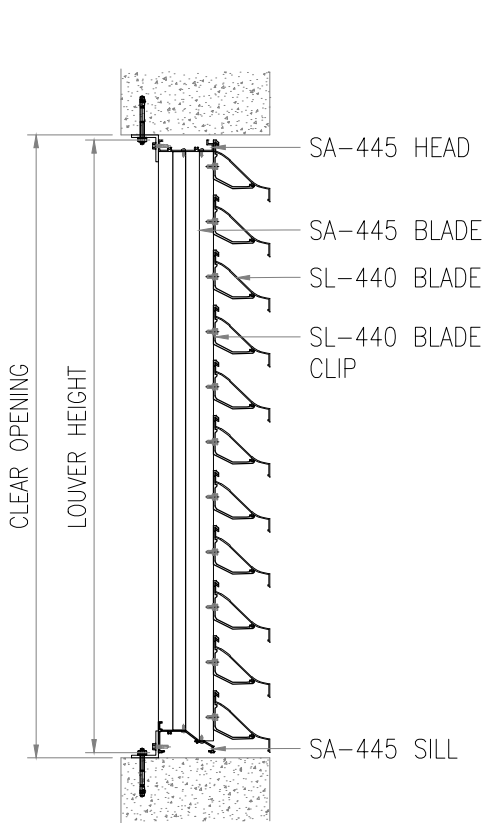
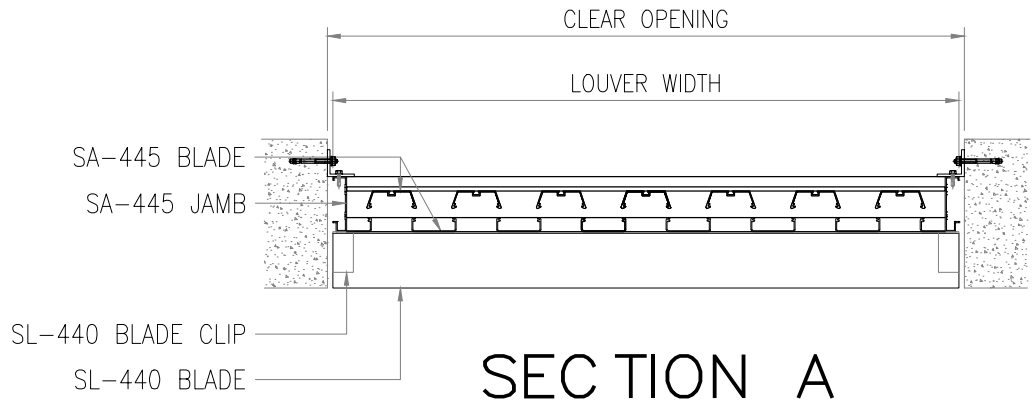


MODEL: SA-445 SL4



**MATERIAL:**

- EXTRUDED ALUMINIUM
- FORMED METAL
- \*STAINLESS STEEL
- \*GALVANIZED IRON
- \*ALUMINIUM

**SCREEN:**

- NOT REQUIRED
- BIRDMESH, ALUMINIUM
- BIRDMESH, STAINLESS STEEL
- INSECT MESH
- SAND FILTER MESH

**SCREEN FRAMING FINISH:**

- COLOUR #: \_\_\_\_\_
- MILL FINISH
  - PESDF
  - PVDF-2 COAT     PVDF-3 COAT
  - OTHERS: \_\_\_\_\_



ONTARIO SPECIALTY ARCHITECTURAL PRODUCTS  
 1404 Metropolis Tower, Business Bay, Dubai UAE  
 P.O. Box 392567, Dubai UAE  
 Web Site: www.ontariosa.com

**LOUVER FINISH:**

- COLOUR #: \_\_\_\_\_
- MILL FINISH
  - PESDF
  - PVDF-2 COAT     PVDF-3 COAT     PVDF-4 COAT
  - OTHERS: \_\_\_\_\_

PROJECT:

ARCH/ENG:

CONTRACTOR:

REPRESENTATIVE: ONTARIO SPECIALTY ARCHITECTURE

SCALE

DATE

SHEET