

### MODEL : FTBF & FWTBF

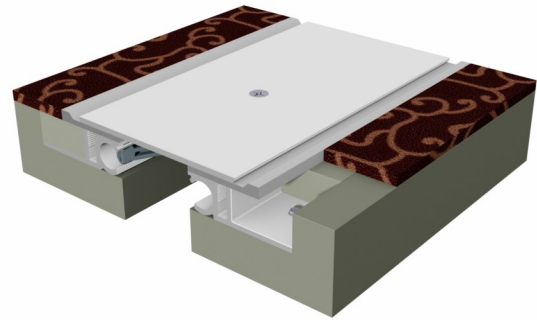
#### Description:

Recess mounted frame assembly with flush overriding center plate held with a centering turn-bar .

Available in both aluminum and stainless steel options.

#### Technical Data:

- Metals :Extruded Aluminum - (6063-T5,T6) & (6061-T5,T6) ASTM B221 ]
- Turnbar: Injection molded



#### Point Load Rating:

- 550lbs (250kg)



Bump Free



Compliant



Load Rating

#### Material Finishes:

- Aluminium: Center plate is supplied with grit finish and other sections in mill finish as standard
- Stainless steel: Center plate is supplied in grade 304 with grit finish and other sections in mill finish as standard

#### Limitations:

- Standard length 3 meter
- Maximum length 6.1 meter

#### Optional Accessories:

- Moisture barrier, fire barrier

#### Installation:

See manufacturer's standard installation instructions.

#### Key Features:

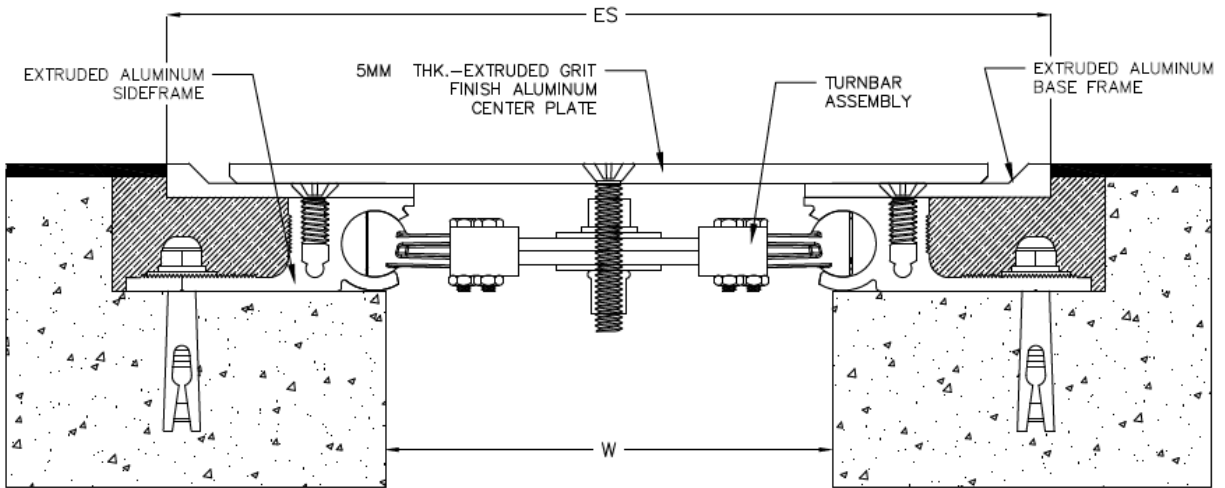
- Slip-Resistant grit finish center plate
- Movement +/-50%
- Can accommodate vertical displacement
- Bump-free design
- Injection molded turn-bar for vertical displacement

#### Applications:

- For indoor and outdoor application
- Where low maintenance is desired
- For larger movement requirement
- Suitable for gap sizes of 1" up to 8"

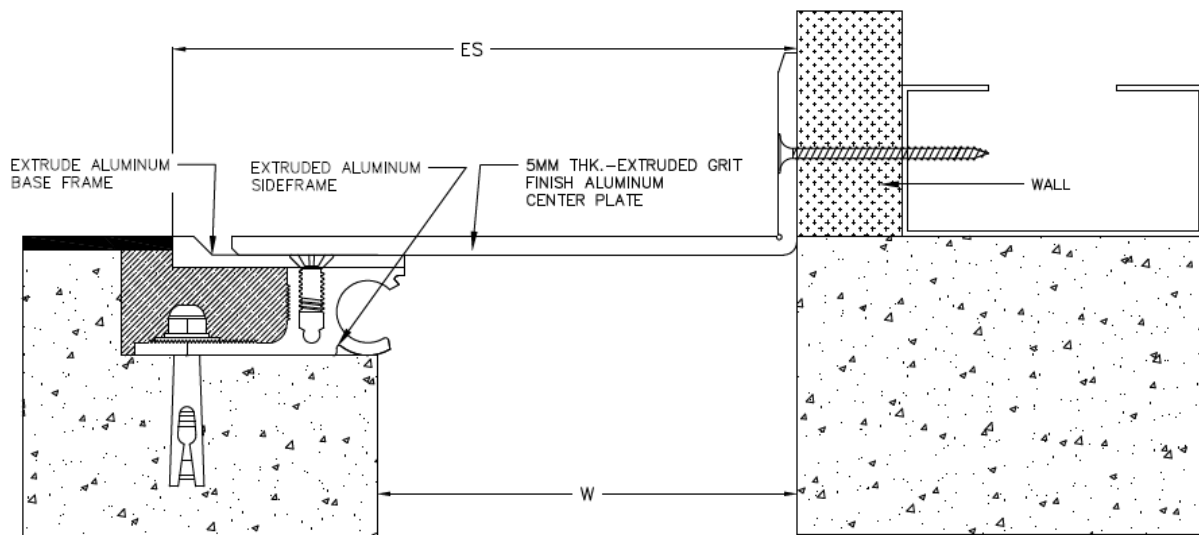
Model	Min Joint Opening	Nominal Joint Width (W)	Max Joint Opening	Exposed Surface (ES)	Overall Width	Overall Height
FTBF1	0.38"(10mm)	1.00"(25mm)	2.50"(63mm)	5.29"(134mm)	6.50"(166mm)	1.09"(28mm)
FTBF2	0.38"(10mm)	2.00"(51mm)	3.48"(88mm)	5.91"(150mm)	7.11"(181mm)	1.09"(28mm)
FTBF3	0.88"(22mm)	3.00"(76mm)	4.48"(114mm)	6.91"(176mm)	8.15"(207mm)	1.14"(29mm)
FTBF4	0.88"(22mm)	4.00"(102mm)	6.05"(154mm)	7.91"(201mm)	8.60"(219mm)	1.14"(29mm)
FWTBF1	0.75"(19mm)	1.00"(25mm)	1.25"(32mm)	3.14"(80mm)	3.76"(95mm)	1.09"(28mm)
FWTBF2	1.50"(38mm)	2.00"(51mm)	2.50"(64mm)	3.93"(100mm)	4.56"(116mm)	1.09"(28mm)
FWTBF3	2.25"(57mm)	3.00"(76mm)	3.75"(95mm)	4.96"(126mm)	5.55"(141mm)	1.14"(29mm)
FWTBF4	3.00"(76mm)	4.00"(102mm)	5.00"(127mm)	5.96"(151mm)	6.32"(161mm)	1.14"(29mm)

## Floor to Floor



FTBF

## Floor to Wall



FWTBF