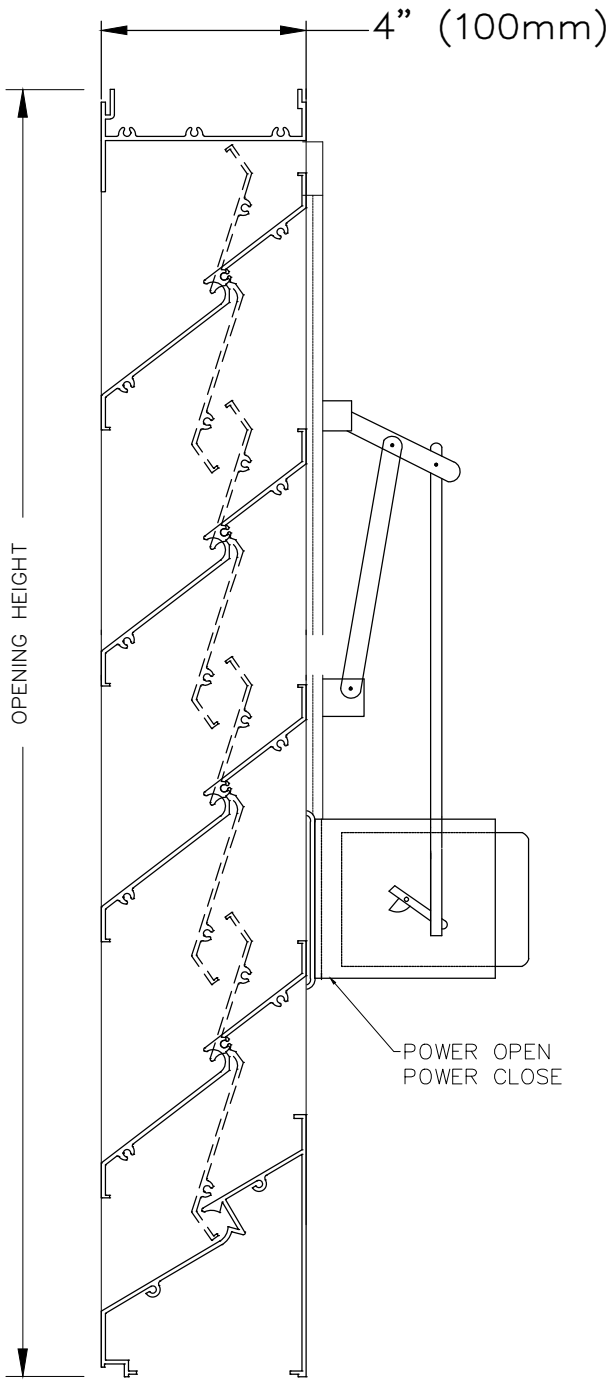
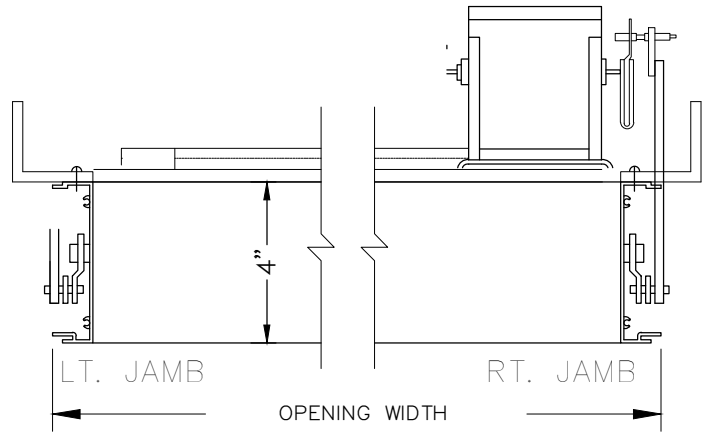


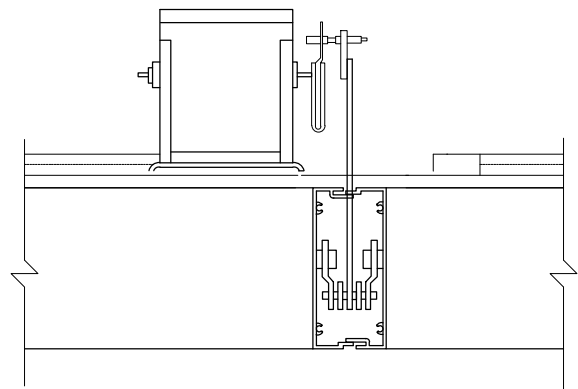
MODEL: SP-445M



SECTION



PLAN



MULLION

OSA-McGILL

ONTARIO SPECIALTY ARCHITECTURE
 1109 Tameem House, Tecom, Dubai, UAE.
 T: +9714 2776760 F: +9714 2776736
 Email: sales@ontariosa.com
 Web Site: www.ontariosa.com

MODEL DRAWING

FINISHES

COLOUR # _____

- MILL FINISH
- 5000 SERIES AAMA -603 BAKED ENAMEL
- 10000 SERIES AAMA -605.2 KYNAR 2 COAT
- 15000 SERIES AAMA -605.2 KYNAR 3 COAT
- CLEAR ANODIZING .0004 .0007
- COLOUR ANODIZING _____

PROJECT: -

ARCH/ENG: -

CONTRACTOR: -

REPRESENTATIVE: ONTARIO SPECIALTY ARCHITECTURE

SCALE DATE SHEET

NTS

-

1 OF 2