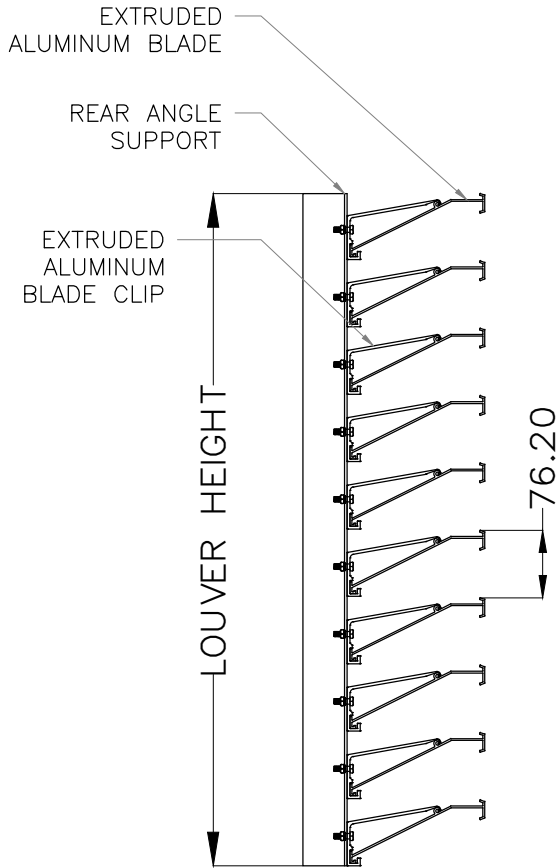
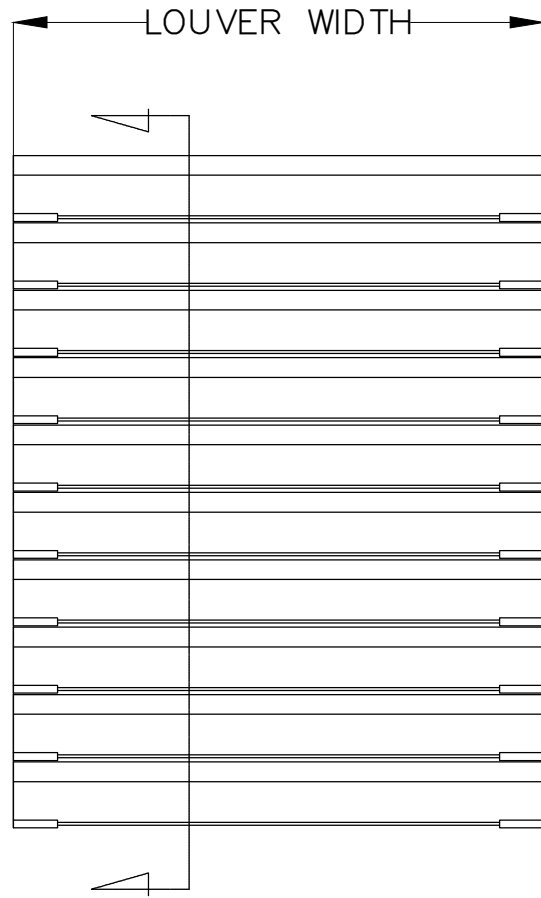


MODEL: DC-630M



SECTION



ELEVATION

OSA-McGILL

ONTARIO SPECIALTY ARCHITECTURE
 1404 Metropolis Tower, Business Bay, Dubai, UAE
 T: +9714 2776760 F: +9714 2776736
 Email: sales@ontariosa.com
 Web Site: www.ontariosa.com

MODEL DRAWING

FINISHES

- MILL FINISH
- 5000 SERIES AAMA -603 BAKED ENAMEL
- 10000 SERIES AAMA -605.2 KYNAR 2 COAT
- 15000 SERIES AAMA -605.2 KYNAR 3 COAT
- CLEAR ANODIZING .0004 .0007
- COLOUR ANODIZING _____

COLOUR # _____

PROJECT: -		
ARCH/ENG: -		
CONTRACTOR: -		
REPRESENTATIVE: ONTARIO SPECIALTY ARCHITECTURE		
SCALE	DATE	SHEET
NTS -		1 OF 1