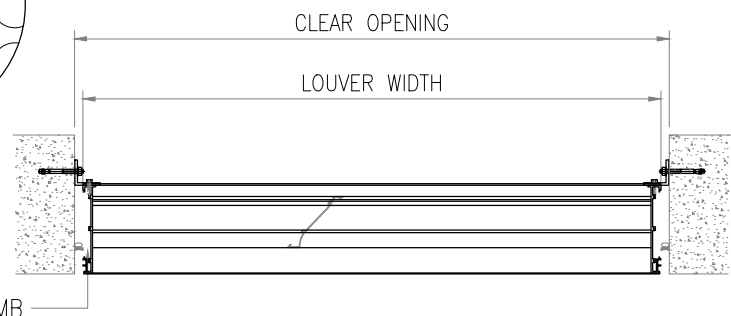
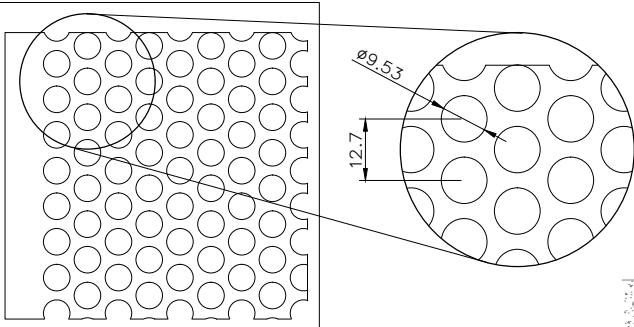
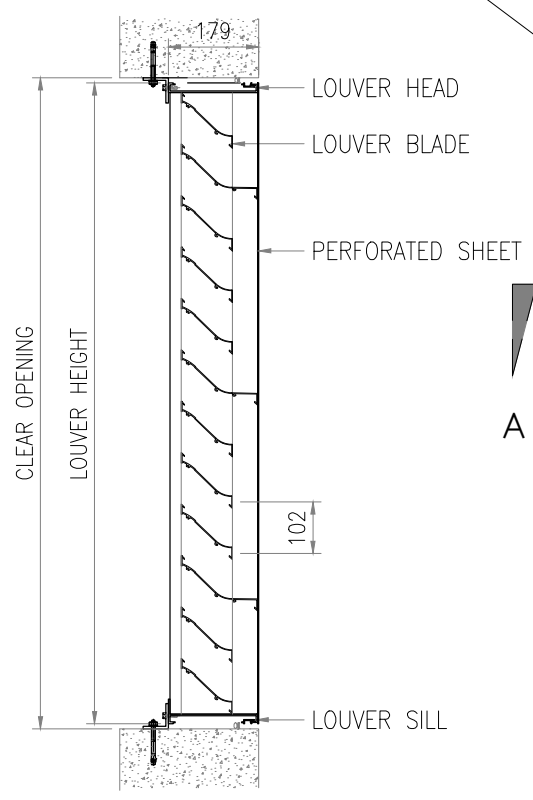


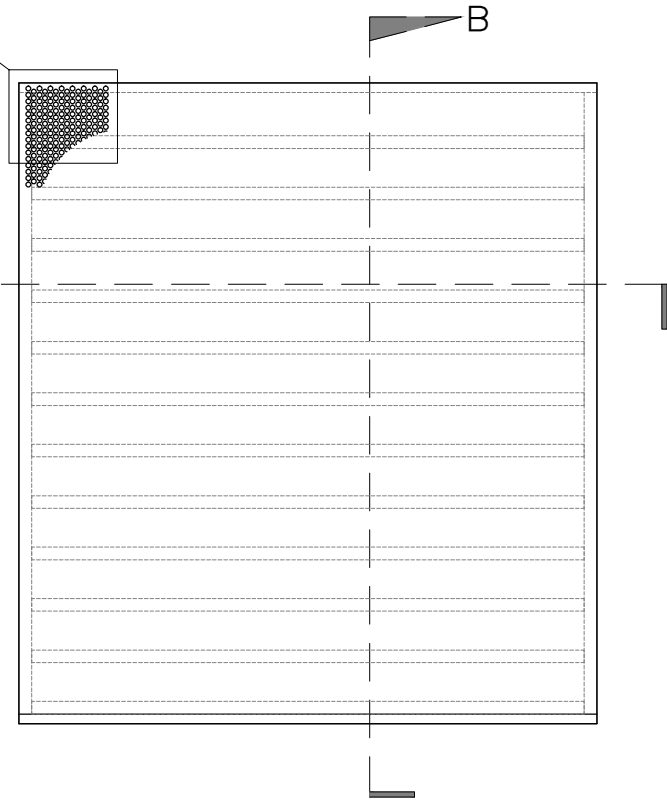
MODEL: SL-440 PF



SECTION A



SECTION B



ELEVATION

MATERIAL:

- EXTRUDED ALUMINIUM
- FORMED METAL
- *STAINLESS STEEL
- *GALVANIZED IRON
- *ALUMINIUM

SCREEN:

- NOT REQUIRED
- BIRDMESH, ALUMINIUM
- BIRDMESH, STAINLESS STEEL
- INSECT MESH
- SAND FILTER MESH

SCREEN FRAMING FINISH:

- COLOUR #: _____
- MILL FINISH
 - PESDF
 - PVDF-2 COAT PVDF-3 COAT
 - OTHERS: _____



ONTARIO SPECIALTY ARCHITECTURAL PRODUCTS
 1804 Metropolis Tower, Business Bay, Dubai UAE
 P.O. Box 392567, Dubai UAE
 Web Site: www.ontariosa.com

LOUVER FINISH:

- COLOUR #: ANY RUNNING COLOR
- MILL FINISH
 - PESDF
 - PVDF-2 COAT PVDF-3 COAT PVDF-4 COAT
 - OTHERS: _____

PROJECT: -		
ARCH/ENG:		
CONTRACTOR:		
REPRESENTATIVE: ONTARIO SPECIALTY ARCHITECTURE		
SCALE	DATE	SHEET
		1 OF 1