

MODEL : FTBF-HD & FWTBF-HD

Description:

Heavy duty recess mounted frame assembly with flush overriding center plate held with a centering turn-bar .

Available in both aluminum and stainless steel options.

Technical Data:

- Metals :Extruded Aluminum - (6063-T5,T6) & (6061-T5,T6) ASTM B221]
- Turnbar: Injection molded

Point Load Rating:

- 2200lbs (1000kg)

Material Finishes:

- Aluminium: Center plate is supplied with grit finish and other sections in mill finish as standard
- Stainless steel: Center plate is supplied in grade 304 with grit finish and other sections in mill finish as standard

Limitations:

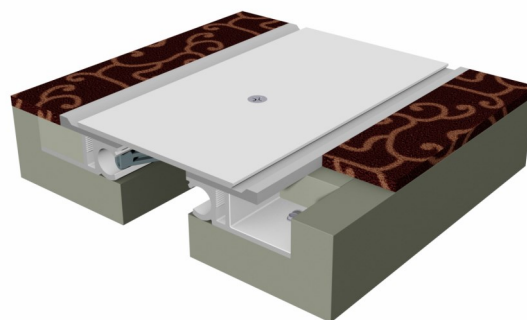
- Standard length 3 meter
- Maximum length 6.1meter

Optional Accessories:

- Moisture barrier, fire barrier

Installation:

See manufacturer's standard installation instructions.



Bump Free



Compliant



Heavy Duty



Load Rating

Key Features:

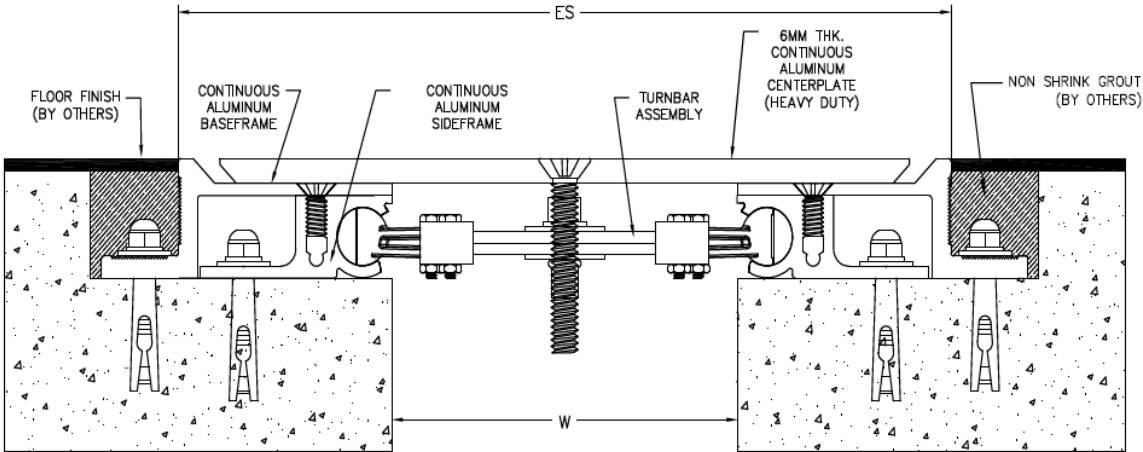
- Slip-Resistant grit finish center plate
- Movement +/-50%
- Can accommodate vertical displacement
- Bump-free design
- Injection molded turn-bar for vertical displacement

Applications:

- For indoor and outdoor application
- Where low maintenance is desired
- For larger movement requirement
- Suitable for gap sizes of 1" up to 8"

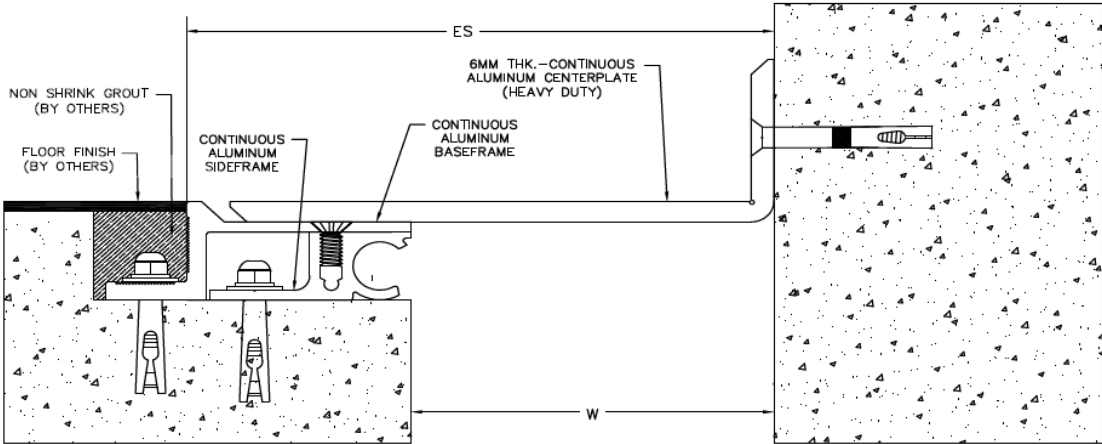
| Model | Min Joint Opening | Nominal Joint Width (W) | Max Joint Opening | Exposed Surface (ES) | Overall Width | Overall Height |
|-----------------|-------------------|-------------------------|-------------------|----------------------|---------------|----------------|
| FTBF1HD | 0.38"(10mm) | 1.00"(25mm) | 1.83"(47mm) | 4.74"(120mm) | 6.24"(158mm) | 1.12"(28mm) |
| FTBF2HD | 0.38"(10mm) | 2.00"(51mm) | 4.40"(112mm) | 6.96"(177mm) | 8.75"(222mm) | 1.22"(31mm) |
| FTBF3HD | 0.57"(15mm) | 3.00"(76mm) | 5.41"(137mm) | 7.95"(202mm) | 9.76"(248mm) | 1.22"(31mm) |
| FTBF4HD | 0.57"(15mm) | 4.00"(102mm) | 6.05"(154mm) | 8.97"(228mm) | 10.75"(273mm) | 1.22"(31mm) |
| FWTBF1HD | 0.75"(19mm) | 1.00"(25mm) | 1.25"(32mm) | 2.87"(73mm) | 3.62"(92mm) | 1.12"(28mm) |
| FWTBF2HD | 1.50"(38mm) | 2.00"(51mm) | 2.50"(64mm) | 4.48"(114mm) | 5.39"(137mm) | 1.22"(31mm) |
| FWTBF3HD | 2.25"(57mm) | 3.00"(76mm) | 3.75"(95mm) | 5.48"(139mm) | 6.38"(162mm) | 1.22"(31mm) |
| FWTBF4HD | 3.00"(76mm) | 4.00"(102mm) | 5.00"(127mm) | 6.49"(165mm) | 7.36"(187mm) | 1.22"(31mm) |

Floor to Floor



FTBF-HD

Floor to Wall



FWTBF-HD