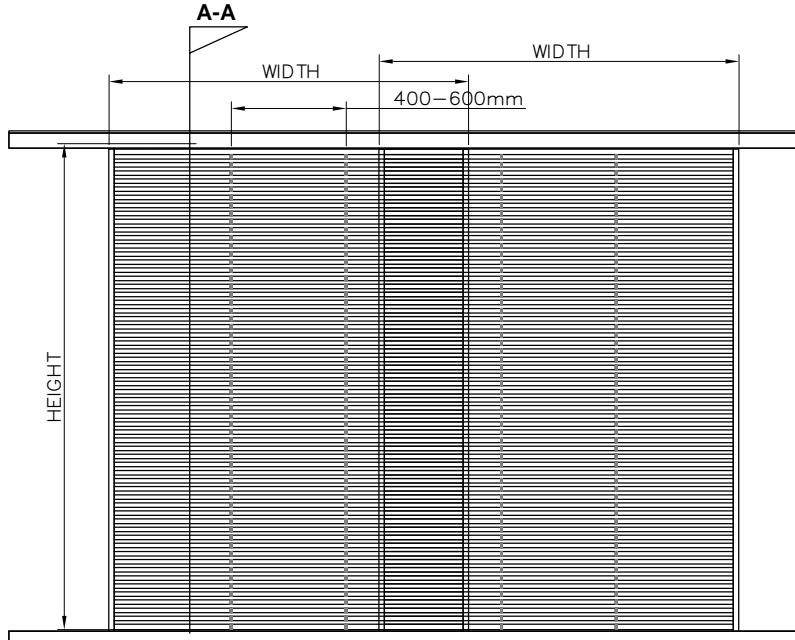
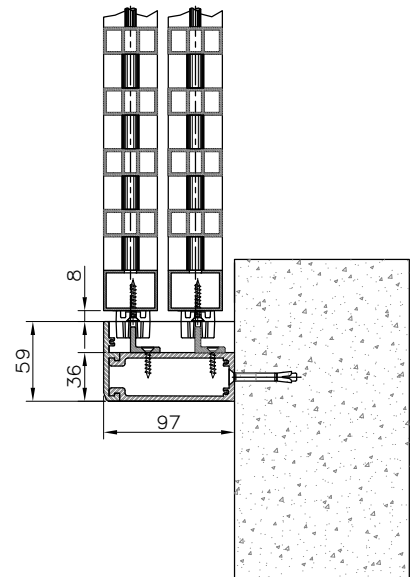
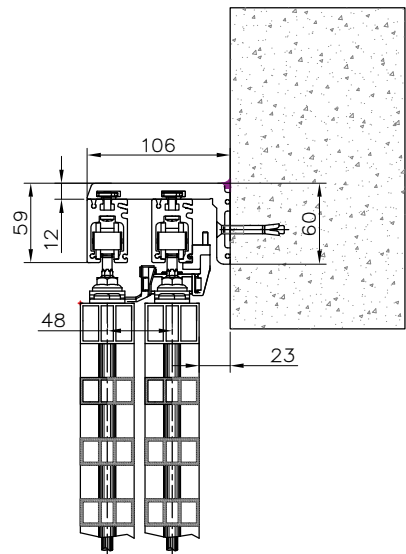


EXTERNAL SLIDING SCREEN

MOTION SCREEN 132 TELESCOPIC



PLAN



SECTION A-A

FEATURES:

- MAXIMUM SLIDING SHUTTER WEIGHT.(60 KG.) (SYSTEM FOR HEAVIER SHUTTERS AVAILABLE ON REQUEST.)
- SLIDING SHUTTER THICKNESS: 28-45MM.
- MINIMUM SLIDING SHUTTER WIDTH: 400 MM.
- CORROSION-RESISTANT MATERIALS.
- FAST AND EFFICIENT ASSEMBLY FROM BELOW AND FROM THE FACADE SIDE.
- CLIP-ON COVERS FOR INSIDE AND OUTSIDE ATTACHMENT.
- THE SLIDING SHUTTER CAN BE MOVED INTO ANY POSITION.
- FOR WOOD, METAL OR ALUMINUM SLIDING SHUTTERS.
- VARIOUS TOP TRACK AND BOTTOM GUIDE ASSEMBLY OPTIONS.

McGILL-OSA

ONTARIO SPECIALTY ARCHITECTURE
 1109 Tameem House, Tecom, Dubai, UAE.
 T: +9714 2776760 F: +9714 2776736
 Email: sales@ontariosa.com
 Web Site: www.ontariosa.com

DESIGN RIGHTS

This drawing and designs contained hereon are proprietary and confidential property of Mc GILL. These should not be used for any purpose other than what it is issued for. This drawing should not be copied, modified, distributed or used without permission from OSA. Copyright and Intellectual Property rights are applicable.

DISCLAIMER

Mc GILL reserves the right to discontinue the design or modify the existing design without prior notice.

PROJECT:

ARCH/ENG:

CONTRACTOR:

REPRESENTATIVE: ONTARIO SPECIALTY ARCHITECTURE

SCALE DATE SHEET

NTS

1 / 2

MODEL DRAWING